

### 1. 자재 사양

① 사이즈 150 x 220 mm

② 인쇄도수 표지- 1도 인쇄  
내지- 1도 인쇄

③ 지류 M 메트지 100g

④ 페이지 12페이지

⑤ 제본 중철

⑥ 후가공 없음

### 3. 제작 및 수정일자

1. 2022.01.28-V.01

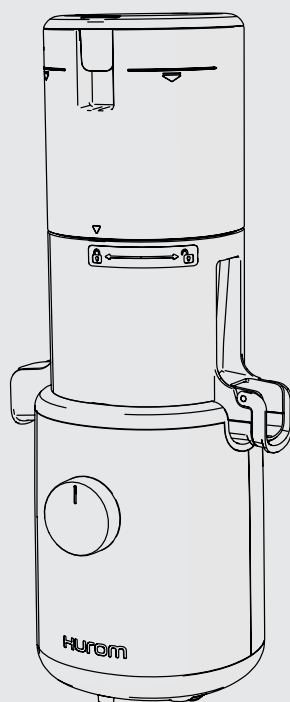
### 4. 수정사항

1. 해당없음

### 2. 기재 언어

영어

※ 발주용 인쇄시 본 페이지(시방서) 삭제 후 진행



**HUROM™**

## CONTENTS

- P.02 **1. Precautions for Safe Use**
- P.03 **2. Cautions during Operation**
- P.04 **3. Power Dial**
- 4. Precautions before Juicing**
- P.06 **5. How to Assemble**
- P.07 **6. Assembly and Disassembly of Silicone**
- P.08 **7. How to Operate**
- P.09 **8. When the Screw Stops during Operation**
- P.10 **9. How to Disassemble and Clean**
- P.11 **10. Before Requesting Repair**

### Before Reading Manual

- 01** Read "Safety Precautions" (p. 2-3) and use the appliance properly.
- 02** After reading the manual, keep it in a convenient location for future reference.
- 03** This appliance is for domestic use (Korea) only. Do not use it in countries that have a different power supply and voltage.
- 04** Any quality improvements are subject to change without notice.



### 1. Precautions for Safe Use

- 01** You should read <Safety Precautions>.
- 02** You must follow <Safety Precautions>.
- 03** Precautions are classified as follows.



**Warning** Failure to comply with the label instructions may result in serious injury or death.

- Do not plug in or pull out the power cord with wet hands.
- Use the right voltage only as specified on the warranty card and the product specifications. Failure to follow this instruction may result in electric shock, fire, or performance impairment. Connecting to a different voltage may shorten the motor's lifespan or cause a malfunction.
- Securely plug the power cord all the way into an

outlet.

- Do not forcibly bend, tie, damage, or pull the power cord. Do not place it near a high temperature or a heat, such as a gas cooktop, and do not place any heavy objects on top of it, wedge it into a narrow space, or alter it.

- Do not ever modify it. Do not attempt to dismantle or repair it yourself.

- Do not insert foreign objects, such as a finger or iron pin, into any cracks or holes in the product body. Failure to follow this instruction may result in fire, electric shock, injury, or malfunction. For after-sales service and product maintenance, contact the HUROM Customer Center.

- When the power plug is damaged, do not repair or dismantle it on your own. Take the product to the after-sales service center or store.

- Do not get wet or splash water over the product body. Make sure that no water or foreign material enters the product's power switch.

- Do not operate the power dial with wet hands.

- For your safety, always ground your power outlet. Also, do not ground it to gas pipes, plastic water pipes, or telephone lines. Make sure that you use a grounded outlet.

- Never attempt to dismantle any parts of the chamber set, or put foreign objects, such as a finger or spoon, into the inlet or juice outlet during operation.

- Do not use it within reach of children. Children should be carefully supervised so that they do not use this device or play with it. There is risk of injury or damage if children accidentally hit and knock it down.

- Do not use the juicer by yourself if you are not used to handling it. Anyone with physical or mental conditions, or users who lack experience and knowledge, should not use it without a supervisor present.

- Do not use the product while wearing or holding any items with magnetic force (e.g., magnetic bracelets, etc.). Placing magnetic objects around the product may lead to malfunctions.



**Caution** Failure to comply with the label instructions may result in serious injury or death.

- Do not operate it unless the product body and chamber set are securely connected.

- If there is a gas leak, etc., then do not touch the power cord. Open the windows and thoroughly ventilate the area.

- If the screw stops rotating during operation, turn the dial to the [REV] direction for 3 to 5 seconds to activate the reverse operation. Then, turn the dial again to the [ON] direction. If the screw is continuously in the stopped state, it may overheat the motor and cause damage to parts and impairment of functions. If

the problem continues, stop the product and contact the HUROM Customer Center.

● **Do not move the product body, or disassemble or assemble the chamber set or parts, while it is in operation.** Make sure to stop it, unplug the power cord before you move, disassemble or connect it.

● **Pay attention while using the product to prevent articles you may be wearing, such as a necktie, long necklace, scarf, etc., from being pulled into the inlet.**

● **Place this product on a flat, even surface to use it.**

● **Do not use the product for more than 15 minutes continuously at a time.** Doing so may overheat the motor and cause it to malfunction. For continuous operation, completely stop operation, take a break for at least 5 minutes, and then use it again.

● **Do not subject the product to extreme shock or dropping.**

● **If it produces unusual sounds, excessive heat, or smoke, then stop using it immediately and contact the Customer Center.** The new product odor will naturally go away over time.

● **Unplug the power cord from the outlet when it is not in use.** Also, be sure to unplug the power cord by holding the plug head.

● **Do not clean it at 80 °C or a higher temperature. Do not put it in a dishwasher, dryer, microwave, etc.** Failure to follow this instruction may cause malfunction or deformation of its parts.

● **The appliance weighs approximately 3.6 kg. When you move it, make sure that you securely hold the product body with both hands.** If you move it by just holding the chamber or its side, then the product body may fall, causing damage or malfunction.

● **This appliance is for household use only. Do not use it for commercial purposes. Do not attempt to extract juice from a large amount of ingredients at once. Doing so may damage the parts.** If you wish to use it for commercial purposes, then contact the Customer Center.



## 2. Cautions during Operation

● **Please read the instructions for preparing ingredients thoroughly before putting them in.**

- Poorly prepared ingredients may hinder the extraction process and/or cause damage to the product.

● **Ingredients that require extra care**

- When using soft ingredients alone, such as bananas, ripened kiwis, or tomatoes, the juice may pool inside the chamber and not be extracted properly. Please add other ingredients that are not overly soft.

- For walnuts, peanuts, almonds, sunflower seeds, pine nuts, beans, etc., insert only a small amount or use them with other ingredients after steeping in

water.

- When extracting only the ingredients with long and thin stalks such as water parsley, they may not be extracted properly. Please chop the ingredients into 1cm-long pieces before inserting them.

● **Ingredients that can't be juiced**

- Do not use the ingredients that can't be juiced, such as sesame seeds, coffee beans, Chinese peppers, tree bark, pine needles, etc. Do not put in mudfish, eel, shrimp, marsh snails, squid, etc.

- Do not use fruits soaked in alcohol, honey, or sugar (e.g., grapes, raspberries, mulberries) and herbal ingredients (e.g., glasswort, rock pine enzymes).

- Do not use any ingredients that can't be juiced, such as silverberries, aloe, cactus, quince, yams, kudzu root, sugar cane, acorns, and dandelions.

- Do not use boiled ingredients (e.g. boiled potatoes, boiled sweet potatoes).

- Do not use frozen ice made up of just water.

● **We recommend that you consume the juice immediately, if possible, and don't refrigerate it for a long period of time.**

● **Do not use this product for grinding grain. Failure to follow this instruction may cause malfunction or damage to the product.**

● **Do not attempt to extract juice from pulp that is already juiced.**

● **Do not let it run idly before putting in any ingredients.**

● **Do not overload ingredients into the hopper above the guided limit mark.**

● **Do not use it for more than 15 minutes continuously.**

- Doing so may overheat the motor and cause it to malfunction. However, when using continuously, stop once and use breaks of at least 5 minutes in duration.

● **Do not insert a chopstick or spoon into the juice/pulp outlet while it is in operation.**

● **Do not operate the power dial with wet hands.**

- Failure to follow this instruction may cause electric shock, short circuiting, or fire. Do not get foreign substances on or near the power dial.

● **Use it with the juice cap open.**

- The juice can flow backwards into the hopper if the juice cap is closed while juicing.

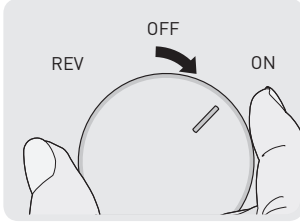
● **Do not use it when the top of the product body is wet from extracted juice or water.**

### Note

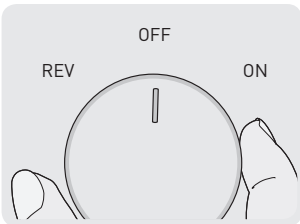
1. Juicing withered ingredients or frozen fruits that have been stored for a long time in the refrigerator might only produce a small amount of juice or none at all.

2. If it is not cleaned immediately after use, then it will be harder to disassemble parts and clean off any dry pulp inside. It may also cause performance impairment, so clean it immediately after use.

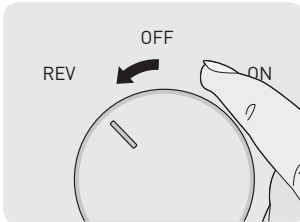
Turn the dial to the left or right for operation.



[ ON ] : Operation - Used to start the product for juicing



[ OFF ] : Stop - Used to stop the product's operation

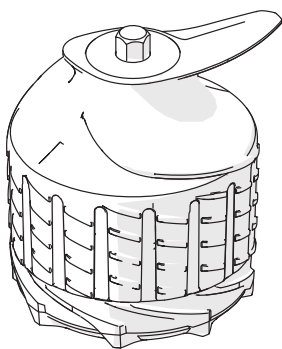


[ REV ] : Reverse rotation - Used when the operation halts while in use due to material overload ※ It only works when the dial is being turned, and it stops when the dial is released.

## 4. Precautions before Juicing

- ※ When you prepare juicing ingredients, make sure to choose your own proper ingredients if you have any food allergies.
- ※ Please refer to the recipe book for how to use the product and tips for different ingredients.
- ※ Juicing ingredients should be cut small enough for the hopper. When you want juicing to be faster or to produce more juice, chop up the ingredients a bit smaller. For every 1 kg extraction, repeat the "disassemble and clean after juicing" cycle.
- ※ Do not overload ingredients into the hopper above the guided limit mark.
- ※ Extraction of soft fruits may cause pooling in the chamber.
- ※ Extraction of fibrous fruits and vegetables may cause thick juice extraction.
- ※ Inputting the following ingredients may cause product damage or breakdown.
  - Unjuiceable ingredients such as sesame seeds, coffee beans, Chinese pepper, tree bark, pine needles, etc. Mudfish, eel, shrimp, marsh snails, squid, etc.
  - Fruits soaked in alcohol, honey, or sugar (e.g., grapes, raspberries, mulberries) and herbal ingredients (e.g., glasswort, rock pine enzymes)
  - Any ingredients that are unjuiceable in nature such as autumn olives, aloe, cactus, quince, bananas, yams, kudzu root, sugar cane, acorns, dandelions, etc.
  - Boiled ingredients such as boiled potatoes and boiled sweet potatoes
  - Frozen ice made of water
- ※ Do not use it for grinding grain.
- ※ Please refer to <Precautions during Operation>.

## 4-1. Multi-screw



- As some ingredients need extra care in trimming, please refer to the preparation guide below.
- If you are juicing in large quantities or multiple times, then finely trim the ingredients and repeat the "disassemble and clean after juicing" process.
- For even faster processing, cut ingredients into smaller pieces.

### Citrus fruits

**Grapefruits, oranges, lemons, etc.**

Prepare the ingredients by peeling and cutting them into smaller pieces to fit in the hopper inlet. Remove all the hard, unchewable seeds or pits before insertion.

### Fruits with thick peel

**Pineapples, dragon fruit, melons, watermelons, pomegranates, etc.**

Prepare the ingredients by peeling and cutting them into smaller pieces to fit in the hopper inlet. Remove the seeds that are hard to chew before insertion.

### Fruits with hard seeds

**Grapes, apples, peaches, persimmons, plums, cherries, pears, Korean melons, etc.**

For ingredients containing seeds that are hard to chew or large pits such as those in peaches, use flesh only after removing the seeds or pits. Hard seeds cause it to halt while in use and may damage its components. Remove the apple seeds, if possible, since they can be toxic when ground. For grapes, pluck each grape from the bunch after cleaning them thoroughly. Do not use the ingredients that are overly soft on their own. Instead, put them in with other fruits and vegetables.

### Fruits with soft, juicy texture

**Single extraction (berries, cherry tomatoes, pineapples, etc.)**

※ After cleansing, cut the ingredients into small pieces for the hopper inlet. Remove stalk ends from the fruit and vegetables.

**Mixed extraction (strawberries, kiwi, bananas, tomatoes, mangoes, etc.)**

※ For dry and viscous ingredients, mix with other ingredients for juicing. Remove the peel and stalk ends, and seeds if there are any.

### Root vegetables

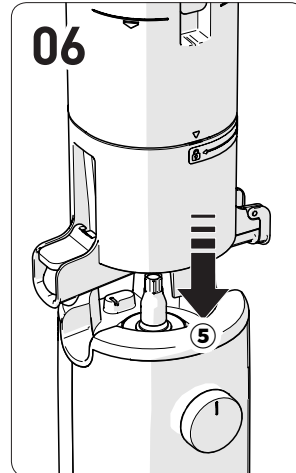
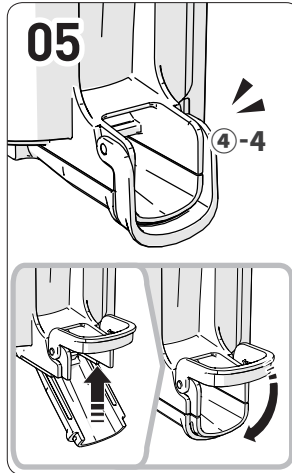
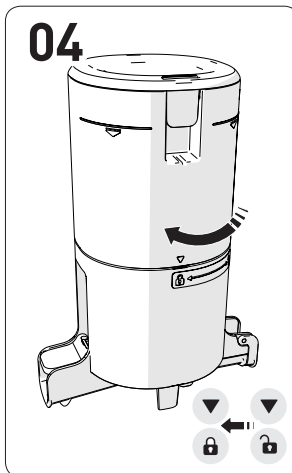
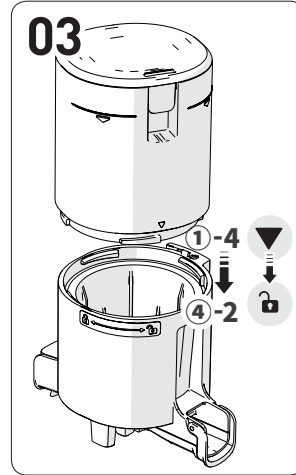
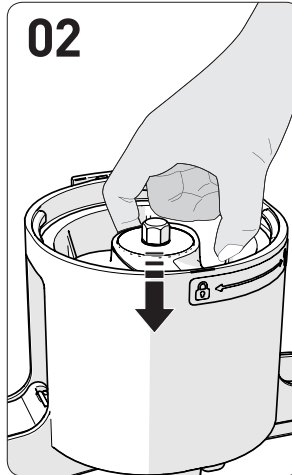
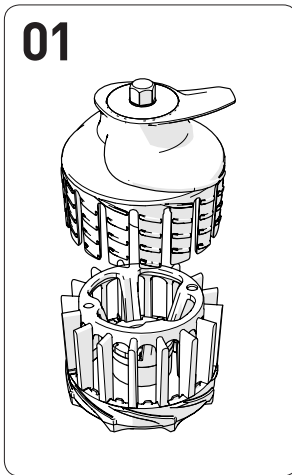
**Carrots, beets, ginger, sweet potatoes, potatoes, garlic, etc.**

Wash dirt and debris off the ingredients under running water. Peel the outer skins of fibrous ingredients such as ginger, and cut long ingredients into sticks for juicing.

### Leaf/stem vegetables

**Celery, kale, cabbage, etc.**

Cut the ingredients into 3-cm or shorter pieces for juicing. Since leaf stalk vegetables are rough and fibrous, they are not easily squeezed, and they can get caught in the screw. When extracting only the ingredients with long and thin stalks such as water parsley, they may not be extracted properly. Please chop the ingredients into 1cm-long pieces before inserting them.



**01 Assemble the bottom of the multi-screw (4) with the top of the multi-screw (3) as shown in the figure.**

**02 Press down the multi-screw set assembled in the chamber.**

**03 Align the hopper [ ▼ ] assembly guide mark (1-4) with the chamber [ 🔒 ] assembly guide mark (4-2) to connect.**

**04 Turn the assembled hopper clockwise until its guide mark is aligned with the chamber assembly guide mark [ 🔒 ].**

If the internal components are not assembled correctly, then the hopper won't close.

**05 Check that the discharge cover and the loop (4-4) of the chamber are properly fastened.**

1. Close the discharge cover and fasten it with the loop.

2. If the packing is not in place or the lever is not fastened properly, juice may leak or the lever may open during extraction.

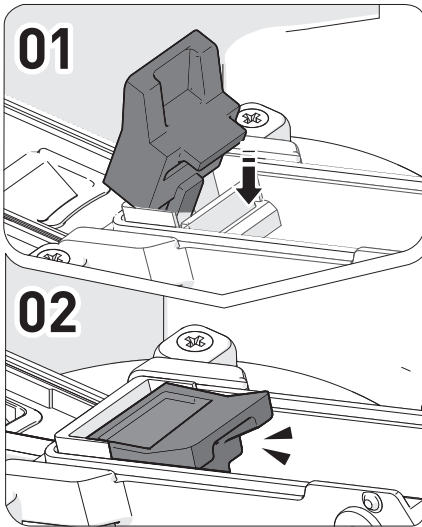
**06 Place the well-assembled chamber set onto the product body (5).**

Assemble the chamber set and connect it to the product body.

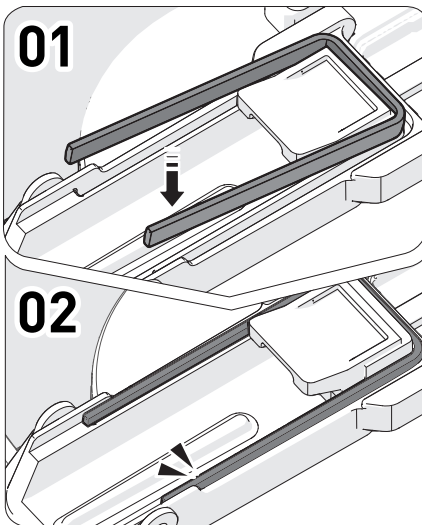
※ Silicone packings are supposed to be replaced every 6 to 12 months. You can purchase them through our Customer Service Center.

(The juicer may leak if the product is not assembled properly.)

### Extraction Packing

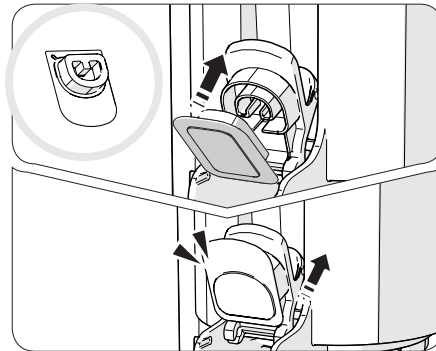


### Seal Packing



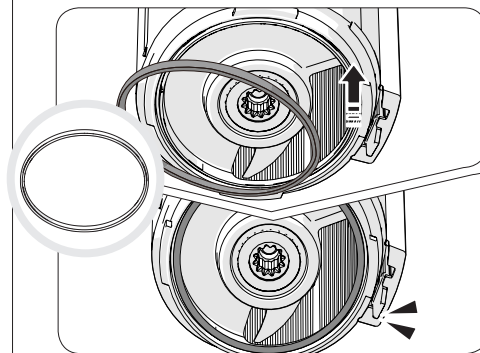
- 01** Hold the silicone ring and pull it out smoothly.
- 02** After cleaning, plug the silicone ring upright into the slot by fixing one end into place first.
- 03** Insert the rest and press down firmly

### Juice Cap Packing



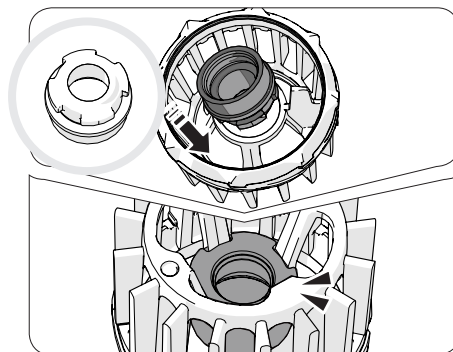
After cleaning, firmly insert with the round side outward and the grid hollow facing upward.

### Hopper Packing



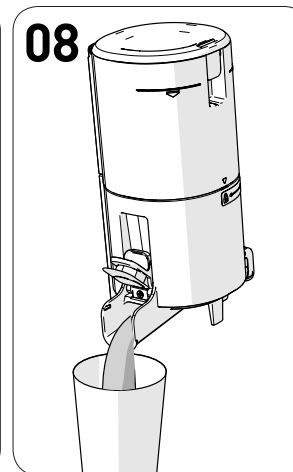
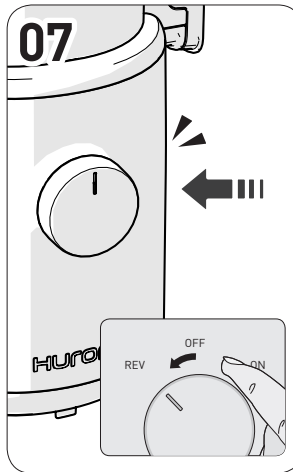
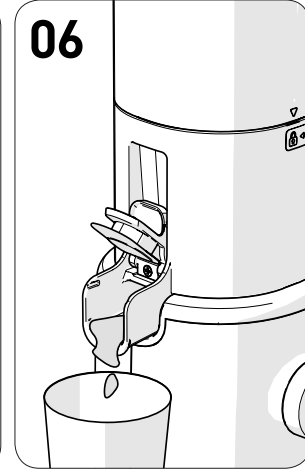
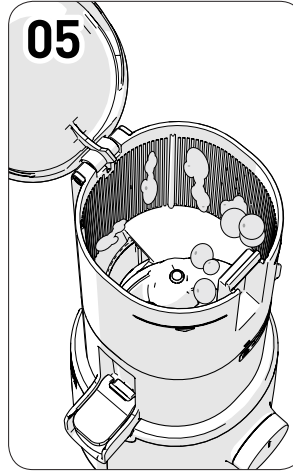
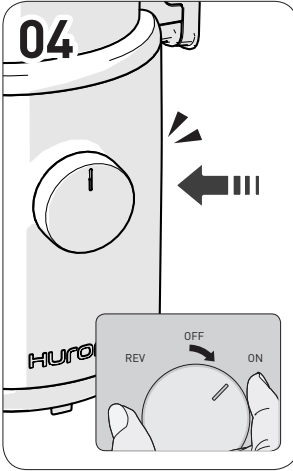
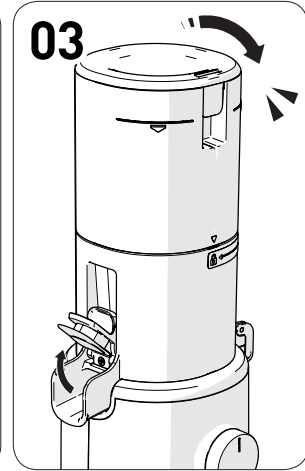
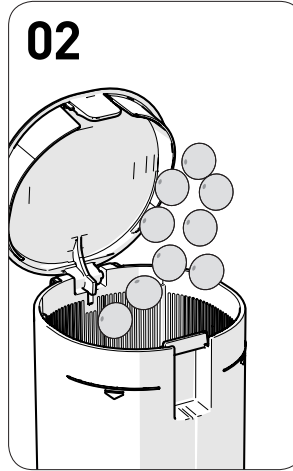
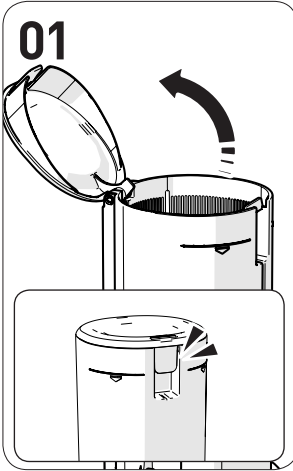
Assemble the packings as shown in the figure.

### Screw Packing



- 01** Grab onto one side and pull out.
- 02** After cleaning, check the top and bottom direction of the packing and insert it upward as if you hook it on the bottom of the multi-screw.
- 03** After checking the direction, press the rest of the packing down without any folded part.





**Note**  
Juice container is not provided separately.

### 01 Open the hopper cover.

- ① Pull the lever of the hopper cover to open it.

### 02 Add the juicing ingredients below the limit mark of the hopper.

- ① Use soft ingredients by mixing them with others.
- ※ Overloading the product with ingredients may damage the product.

### 03 Close the hopper cover and keep the juice cap open.

- ① Before pressing the extraction button, put a cup in place first.
- ② The juice can flow backwards into the hopper if the juice cap is closed. If the juice does not come out even after opening the juice cap, then open the hopper cover and remove the content.

### 04 Turn the power dial [ON] to start operation.

- ① The "click" sound when the product is operating is the sound of the chamber set and the motor binding together.
- ※ Operation stops when the hopper cover is open.

### 05 During extraction, ingredients may get stuck on the interior wall of the hopper or cutting blades.

- ① Turn the dial to the [REV] direction for 3 to 5 seconds to activate the reverse operation. Then, turn the dial again to the [ON] direction. ※If the movement of ingredients is not smooth, open the hopper cover and organize the ingredients.

### 06 Let it operate for another minute or so after the last ingredient goes down through the hopper.

- ① It takes some time for the last piece to be juiced as it slowly squeezes the ingredients.
- ② If the remaining pulp is removed by additionally running the machine after extraction, then it should be quite easy to remove the hopper and wash the parts.

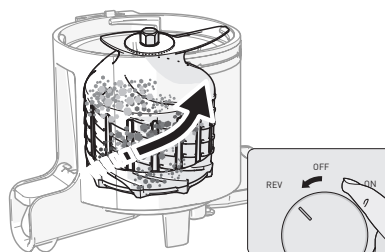
### 07 Once the juicing and pulp removal are done, stop the product by turning the power dial.

- ① Even when it is stopped by the power switch, the operation may stop after 3 seconds.

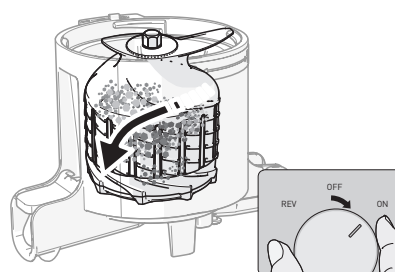
### 08 Pour any juice left by tilting the chamber set forward.

- ① For thick juice like tomato juice, it is likely to pool in the chamber set.

01



02



**01** For 2 to 3 times, repeat the process of maintaining the state in which the power dial is turned to the [REV] direction (counterclockwise) for 3 to 5 seconds and then releasing the dial. The reverse rotation is a function that returns and lifts the ingredients upward. It only works when the dial is being turned, and the screw rotation stops when the dial is released.

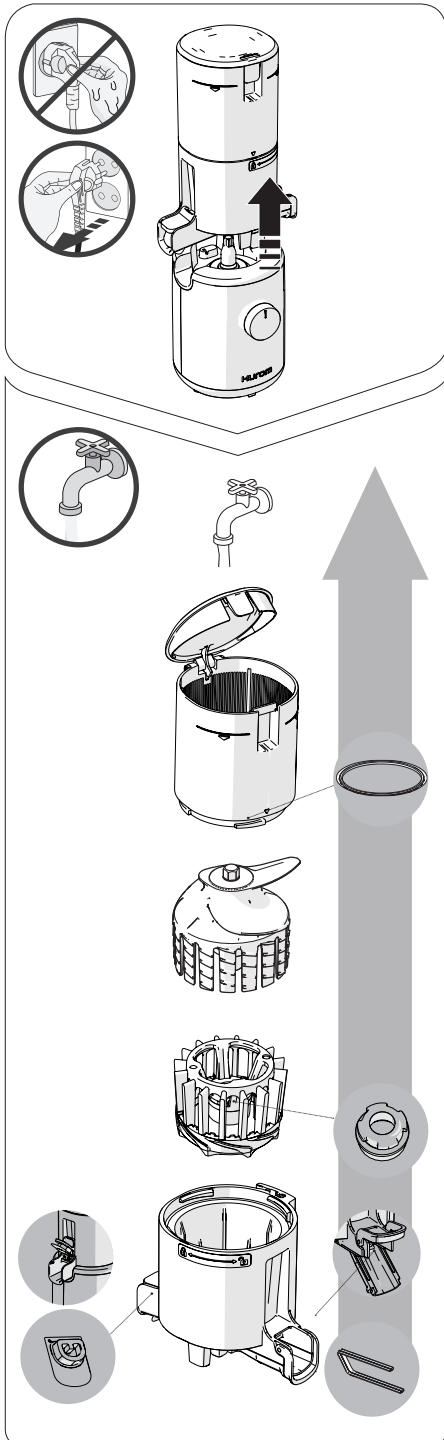
**02** After the screw is completely stopped after reverse rotation, turn the power dial to the [ON] direction (clockwise) to start the operation again.

#### Note

If it does not work even after following the above steps, unplug the power cord from the outlet, remove the chamber set, wash it, and use it again.

The motor will continue to spin after the machine is turned off but it will slow down and come to a complete halt.

10 9. How to Disassemble and Clean



※ After the product stops operating completely, unplug the power cord with your dry hands. The motor is still slowing down after the appliance is turned off so wait about 3 seconds before separating the chamber set.

- 01 Separate the chamber set from the product body. Turn the hopper open and pull off the parts in order to disassemble them.
- 02 Wash the parts with a cleaning brush under running water.
- 03 Wash the chamber by opening the discharge cover and the juice cap.
- 04 Wipe the product body with a damp towel or soft cloth.
- 05 For silicon packings, remove and wash them after use.  
- Residue may remain stuck (hopper packing, juice cap packing, extraction packing, seal packing, screw packing).
- 06 You can sterilize the parts by soaking them in warm water diluted with baking soda, citric acid or vinegar.

※ Failure to clean the product immediately after use can cause its stainless steel parts and other parts to corrode or become discolored due to salt and pulp from the ingredients. Contaminants may dry out and get stuck inside, making it difficult to disassemble or clean it, as well as adversely affect its performance. Be sure to clean and air dry it completely after use and store it in a clean place. For long-term storage, clean it with the cleaning brush first. Do not clean it with boiling water or subject it to high temperatures. Do not use abrasive cleaning products or tools like kitchen sink cleaners or a stainless-steel sponge. Do not put it in a dishwasher or dish dryer.

## 10. Before Requesting Repair

Check the following before asking for repair. For follow-up service and any inquiry you may have while using the product, please contact our Customer Center, or homepage at <http://www.globalhurom.com>. Check the manufacturer's number or the number under the barcode when requesting for follow-up service or parts.

English

01. When the appliance starts operation, it will make a "click" sound.

**This is the sound when the motor and the screw are connected.** This is not a malfunction.

02. It won't operate with only the product body.

**Check if the chamber set and body are properly assembled.**

Please turn off the power before assembling or disassembling the product.

03. Assemble it, making sure to align it with the safety sensor.

**Check if they are assembled in accordance with the guide mark.**

Please turn off the power before assembling or disassembling the product.

04. It does not work.

**Check if the power cord is properly plugged in.**

**The machine may not work after prolonged use (15 minutes or longer).**

It will resume normal operation once the product body (motor) cools down.

**Check if the hopper fits properly. If the hopper is connected incorrectly, the product will not operate properly.** It will only operate when the lock symbol on the chamber is perfectly aligned with the hopper's assembly guide mark. Check if the product is assembled in accordance with the assembly guide. Refer to Page 6 of this manual for assembly.

05. It suddenly stops during operation.

**Is the hopper overloaded with juicing ingredients, or are the ingredients too big?** Refer to Page 9 of this manual and activate reverse rotation.

06. There are cracks on the screw or scratch marks on the top part of the screw.

**Curve lines are created in addition to the straight mold marks left on the top and sides of the screw in the process of marking molding.** They are normal parts, and they do not affect the operation.

07. Juice leaks through the pulp outlet right when the ingredients are put in the ingredients.

**A little juice may come out of the pulp outlet, depending on the ingredient being inserted.**

This is not a product defect but the result of the characteristics of the ingredient. The leakage will stop once the product starts running. If the leakage persists, contact the Customer Center.

08. Juice flows back into the hopper.

**Did you perform extraction with the juice cap closed?** Extraction with the juice cap closed may cause the juice to flow backward into the hopper. If the juice is not properly discharged even after opening the juice cap again, open the hopper cover and empty out the inside.

09. Juice leaks between the hopper and the chamber, or between the chamber and the product body.

**Is the hopper packing or chamber packing assembled correctly?**

Juice will leak if the hopper packing or chamber packing has been assembled upside-down or incompletely. Check if the packing has been assembled correctly.

10. The hopper does not open.

**There may be excessive pulp remaining inside.** Turn the product [ON] to discharge the remaining pulp, or, for 2 to 3 times, repeat the process of doing a reverse rotation for about 10 seconds and stopping it. Then, the hopper will open without any issue.

**Were foreign or solid substances put in (hard seeds such as persimmon seeds)?**

If there are foreign or solid substances, then attempting to operate it in reverse may further damage the components. In this case, contact the Customer Center and request for after-sales service.

11. The chamber is vibrating (during juicing).

**The product may wobble slightly due to the force and motion of the product body's motor.** It may produce small and large vibrations depending on the ingredient's characteristics (hard or tough). This is not a malfunction but a normal phenomenon caused by the rotating screw. The product may seem to vibrate more when juicing hard ingredients than when juicing soft and watery ingredients (e.g., carrots, potatoes, radishes, beets, kohlrabi, etc.).

12. Pulp is discharged even when the discharge cover is closed.

**Even if the lever is closed, pulp will be discharged naturally.** Depending on the ingredients used, there may be a difference in the amount and speed of pulp discharge.

13. An unusual noise is heard while juicing.

**It is a natural sound when the ingredients are being crushed.** If the ingredients are hard or tough like apples, carrots, cabbage, celery and beets, the noise may be louder than when juicing softer ingredients.

**HUROM™**

**MADE IN KOREA | [www.globalhurom.com](http://www.globalhurom.com)**

Copyright© All Rights Reserved by HUROM

4DC010894\_V.01